

PVC Windows

Iglo Energy window is an original product from Drutex. It has an innovative sealing system that guarantees great parameters in energy-efficiency. It is the world-first solution in such a system that applies a central gasket made of foamed EPDM. It also ensures outstanding parameters in air permeability, water tightness and resistance to wind load. It is a perfect solution for energy-efficient and passive buildings.

Specification:

Profile

7-chamber frame and sash profiles in A-class made exclusively of primary material, with installation depth 82 mm.

Glazing

Applicability of using glass package 4/18/4/18/4 with thermal transmittance $U_g = 0,5 \text{ W}/(\text{m}^2\text{K})$.

Fittings

MACO MULTI MATIC KS protected by Silber-Look coating in the standard, equipped with two anti-burglary bolts and sash lifter with handle missplacement blockage. Possibility to hide the hinges in the fitting notch and use RC2 anti-burglary solutions.

Gaskets

The window has an innovative sealing system made of foamed EPDM, available only in Drutex S.A.'s offer, which guarantees great parameters in terms of energy efficiency. The EPDM sealing available in black and gray.

Color range

Wide color range in Renolit film colors that match numerous interior design styles.

Thermal transmittance

$U_w = 0,71 \text{ W}/(\text{m}^2\text{K})^*$ with two-chamber package filled with argon

Sound insulation

37-46 dB

*For a window measuring 1230x1480 mm, with steel reinforcement and the argon gas-filled glass package $U_g = 0.5 \text{ W}/(\text{m}^2\text{K})$, with the Swisspacer plastic spacer bar.

Drutex S.A.

Lęborska 31 • 77-100 Bytów • Poland

+48 59 822 91 01 • WWW.DRUTEX.EU • DRUTEX@DRUTEX.EU

+48 59 822 91 04

The information presented in this promotional material is only for informative and illustrative purposes. The product specification needs to be verified with technical data determined by the producer.

D
DRUTEX
ENGINEERED FOR YOU



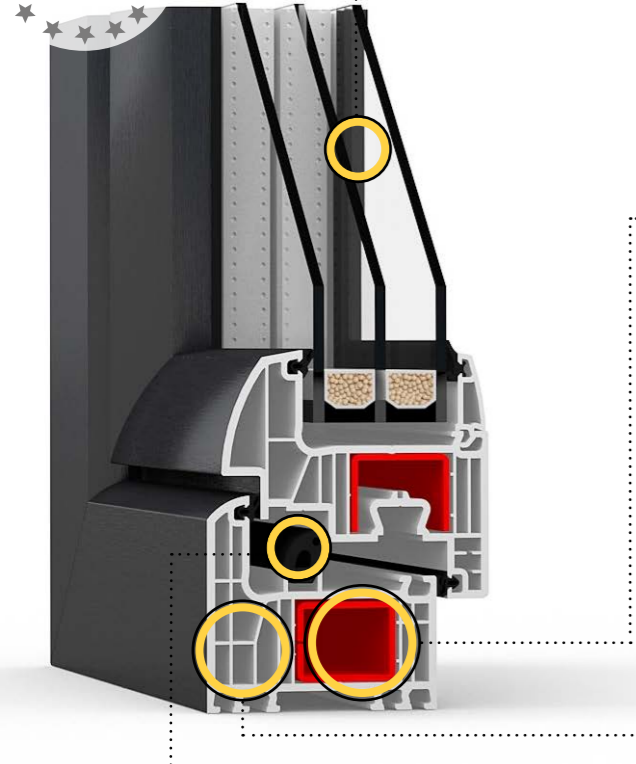
Iglo Energy

PVC WINDOWS

WWW.DRUTEX.EU

Modern design, innovative technology and high energy efficiency in a window!

★ ★ ★ ★ ★
A-CLASS PROFILE



- Application of glass with low-emission coatings of thermal transmittance coefficient that amounts for $U_g=0,5 \text{ W/(m}^2\text{K)}$ ensures higher energy-efficiency.
- Maco Multi Matic KS fittings as a standard are equipped with a wing lift with a blockade against handle misplacement that allows to close effortlessly even the heavy wings.
- Big profile chamber with a steel reinforcement or optionally glass fiber reinforcement guarantee perfect resistance and statics.
- Windows made of 7-chamber A-class profiles, for installation depth of 82 mm, ensure considerable energy savings. The optimum number and size of the chambers guarantee great parameters in thermal transmittance.
- The window is equipped with a system of triple sealing: external, internal made of EPDM, and central made of foamed EPDM, which guarantees high energy efficiency. In addition, the window as a standard is equipped with a five-chamber window sill strip with an internal seal increasing the window tightness and its parameters in terms of thermal insulation.

Iglo Energy

★ ★ ★ ★ ★
A-CLASS PROFILE



Iglo Energy Classic

Main advantages of Iglo Energy system:



Energy-efficiency, thanks to the optimum profile structure, specially designed sealing system made of foamed EPDM and glass packages of low thermal transmittance coefficients.

Modern design ensured by the slender and rounded profile shape.

High safety level guaranteed by the application of two anti-theft hooks as a standard. The smart control systems with the use of a remote control, smartphone or a tablet, ensure great functionality, usage safety and they enable to integrate the solutions with alarm systems.

Durable construction, thanks to the stable profile with frame reinforcement - full steel (closed). In the case of full reinforcement, anti-burglary bolts are screwed to the steel, in the case of the sash „C” shaped reinforcement.

Rich colors of systems enabling any interior arrangement; the offer includes rich colors of Renolit veneers.

Great parameters of air permeability and water tightness, thanks to the application of the triple sealing system.

Perfect resistance to wind load, thanks to the optimum reinforcement.

Modern design, innovative technology and high energy efficiency in window!

Rich colors of Renolit foil:



ENGINEERED FOR YOU